

F I A T M U L T I P L A



S O U N D S Y S T E M

# CONTENTS

INTRODUCTION .....	2	COMPACT DISC PLAYER .....	10
- Advice.....	2	- Playing a CD.....	10
FRONT PANEL .....	4	- Previous / next track.....	10
SECURITY PROTECTIONS .....	5	- Fast forward / backward .....	10
- Protection code .....	5	- Random track playing.....	10
- Identification number .....	6	- Track repeat .....	10
TURNING THE SOUND SYSTEM ON/OFF .....	7	- Scan tracks .....	10
- Volume.....	7	- Eject CD .....	10
- Mute.....	7	TROUBLESHOOTING.....	11
- Sound.....	7	- Sound.....	11
- Sound adjustments .....	7	- Radio.....	11
- Source .....	7	- CD .....	12
RADIO.....	8		
- Band.....	8		
- Automatic tuning .....	8		
- Preset stations .....	8		
RADIO DATA SYSTEM (RDS) .....	9		
- Program Service Name .....	9		
- Alternative frequency (AF) .....	9		
- Alarm messages (PTY alarms).....	9		
- Traffic announcements (TA) .....	9		

# INTRODUCTION

In the following pages you will find the instructions for use, which you are advised to read through carefully and always keep within reach for prompt reference in the future.

## ADVICE

### Road safety

You are advised to learn how to use the various radio functions (e.g.: storing stations) before starting to drive.

### Reception conditions

Reception conditions change constantly when driving. Reception may be disturbed by the presence of mountains, buildings or bridges particularly when far away from the station being listened to.

**IMPORTANT** When receiving traffic information, the volume may be higher than normal.



## WARNING

***Too high a volume when driving can put the driver's life at risk and that of other people. Therefore the volume should always be adjusted in such a way that it is always possible to hear the noises of the surrounding environment (e.g.: horns, ambulance, police sirens, etc.).***

## Care and maintenance

The radio structure ensures long operation with no need for particular maintenance. In the event of a fault, contact a Fiat Dealership.

To clean the front panel only use a soft, antistatic cloth. Cleaning and polishing products might spoil the surface.

## CD

Remember that dirt, marks or distortion on Compact Disc can cause skipping. To obtain optimum playing conditions we give the following advice:

Only use Compact Discs which have the following brand:



- Carefully clean all Compact Discs of fingerprints and dust using a soft cloth. Support Compact Discs from the outer circumference and clean from the centre outwards;
- Never use chemical products for cleaning (e.g.: spray cans, antistatic or thinners) as they might damage the surface of Compact Discs;
- After use, put Compact Discs back in their container, to avoid marks or scratches that may cause skipping when playing;

- ❑ Do not expose Compact Discs to direct sunlight, high temperatures or damp for prolonged lengths of time to prevent them from bending;
- ❑ Do not stick labels or write on the recorded surface of Compact Discs.

To remove a Compact Disc from its container, press the centre and raise the disc carefully, holding it by the outer circumference.

Always hold Compact Discs by the outer circumference. Never touch the surface.

To remove fingerprints and dust, use a soft cloth starting from the centre of the Compact Disc outwards.

Do not use highly scratched, cracked, or distorted discs, etc. The use of these discs will involve malfunctioning or damage to the player.

For optimal playing use original CDs only. Regular operation is not guaranteed if using R/RW CDs not properly mastered and/or CDs with max. capacity higher than 650 MB.

**IMPORTANT** Do not use the protective sheets for CD in commerce or discs with stabilisers, etc. as they might get stuck in the internal mechanism and damage the disc.

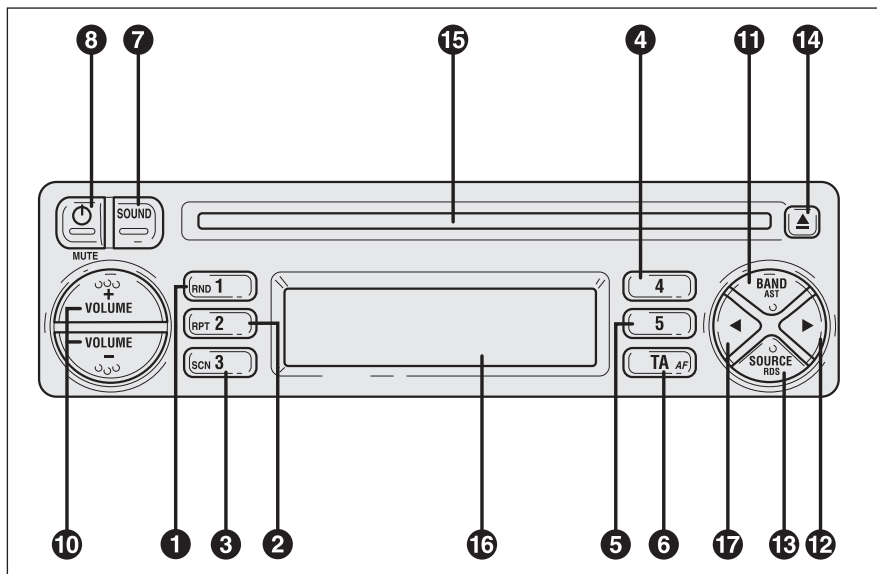
**IMPORTANT** Should copy-protected CDs be used, then, few seconds may be required for playing them. Moreover, due to the proliferation of always new and different protection methods, it is not guaranteed that the CD player can play whatever protected disc. Copy protection is often indicated on the CD cover in small letters or hard to read characters. Usually it is indicated by writings like: "COPY CONTROL", "COPY PROTECTED", "THIS CD CANNOT BE PLAYED ON A PC/MAC", or it is identified by symbols like:



Protected discs (and their cover) very often are not marked with the audio CD identification symbol:



# FRONT PANEL



FOE0728m

- 1 Preset button 1  
RND - random CD playing on/off
- 2 Preset button 2  
RPT - CD track repeat on/off
- 3 Preset button 3  
SCN - CD track scan
- 4 Preset button 4
- 5 Preset button 5

- 6 TA / AF  
Brief pressing: TA on/off  
Long pressing: AF on/off
- 7 SOUND - personalized sound selection
- 8 Brief pressing: turning on  
Long pressing: turning off  
MUTE - on/off

- 10 VOLUME + / VOLUME - :  
volume adjustment;  
selected sound adjustment
- 11 BAND / AST  
Brief pressing: band selection  
Long pressing:  
automatic storage (CD)
- 12 ◀ ▶ **In radio mode**  
Brief pressing: automatic tuning  
Long pressing: manual tuning  
**In CD mode**  
Brief pressing:  
next/previous track  
Long pressing:  
fast forward/backward
- 13 SOURCE / RDS  
Brief pressing:  
RADIO / CD source change  
Long pressing: RDS on/off
- 14 CD ejection
- 15 Open to load CD
- 16 Display.

# SECURITY PROTECTIONS

## PROTECTION CODE

If the protection code is active, each time the sound system is turned on, the display will show the word “CODE” for a few seconds.

If sound system supply is interrupted:

- If the protection code has been activated and the power supply has been interrupted, the system will mute the sound and the display will show the word “CODE” (antitheft).
- Enter the code as described in paragraph “Entering the protection code”.

## Entering the protection code

(specified on the “Security card”, e.g.: 4359):

Operation	Display
Turn the sound system on	CODE
Press the preset button <b>I</b>	0 - -
Enter the first digit of the code using button <b>12</b> or <b>17</b>	4 - -
Press again the preset button <b>I</b>	4 0 -
Enter the second digit of the code using button <b>12</b> or <b>17</b>	4 3 -
Press again the preset button <b>I</b>	4 3 0 -
Enter the third digit of the code using button <b>12</b> or <b>17</b>	4 3 5 -
Press again the preset button <b>I</b>	4 3 5 0
Enter the fourth digit of the code using button <b>12</b> or <b>17</b>	4 3 5 9
Press again the preset button <b>I</b> to confirm	

If the right code is entered, the system sounds a beep and the radio starts working.

If a wrong code is entered, the system sounds a warning beep and the display shows “WAIT”. This message indicates the activation of the break time.

- ❑ Do not turn the radio off while the display is showing the message “WAIT” (otherwise the break time will restart).
- ❑ Wait until the display shows the word “CODE” indicating that the break time is over.
- ❑ Enter the right code as described in paragraph “Entering the protection code”.

**IMPORTANT** Every time the user enters a wrong code, the break time will double (1 minute, 2 minutes, 4 minutes, etc...).

### **Deactivating the protection code**

- ❑ Turn the sound system on and keep button 12 pressed until a beep sounds.
- ❑ Enter the protection code as described in paragraph “Entering the protection code”; the system will beep twice to indicate that the protection code has been deactivated. If a wrong code is entered, carry out the same procedure as described in paragraph in “Entering the protection code”.

### **Activating the protection code**

- ❑ Turn the sound system on and keep button 12 pressed until the display shows the word “CODE”, no beep will sound. The protection code is active now.

### **IDENTIFICATION NUMBER**

The sound system is provided with an ID number (specified on the “Security card”). This card certifies the possession of the sound system. Produce it as owner-evidence in the event of theft or when required by Fiat Dealership.

**IMPORTANT** Do not keep the “Security Card” in the car.

# TURNING THE SOUND SYSTEM ON/OFF

To turn the sound system on, press button **8**. To turn the sound system off, keep it pressed for over 2 seconds.

## VOLUME

To adjust the volume, press button **10**.

**IMPORTANT** Volume should always be adjusted in such a way that it is always possible to hear the noises of the surrounding environment (e.g.: horns, ambulance, police sirens, etc..).

## MUTE

Press briefly button **8** to turn the mute function on/off.

Note With TA function active, MUTE can be interrupted by incoming alarm messages or traffic announcements.

## SOUND

Whatever the music (jazz, pop, classic, rock) or the speech program is, the recommended solution is button **SOUND**.

Press button **SOUND** and then the audio button to adjust bass/treble tones as required or to adjust settings with buttons **10** to select one of the following sound styles:

- BASS TRE**: personalized bass and treble tones settings
- FLAT**: original setting
- JAZZ**: jazz music
- VOCAL**: speech
- POP**: pop music
- CLASSIC**: classic music
- ROCK**: rock music.

## SOUND ADJUSTMENTS

Press button **SOUND 7** to select the required sound setting.

Adjust setting by buttons **10**:

- Sound styles (**BASS TRE**, **FLAT**, **JAZZ**, **VOCAL**, **POP**, **CLASSIC**, **ROCK**)
- BASS**
- TREBLE**
- BALANCE** (sound adjustment from right / left speakers)
- FADER** (sound adjustment from front / rear speakers)
- LOUD** (**OFF**, **LOW**, **MID**, **HIGH**).

Press the volume buttons to adjust the selected sound mode. Five seconds after the display will go back to the last operating mode.

**IMPORTANT** Bass and treble tones can only be adjusted after selecting the **BASS-TRE** sound style.

## SOURCE

Press button **SOURCE 13** to select the required sound source: **RADIO** or **CD**.

# RADIO

## BAND

Press button BAND / AST **11** to select the required frequency band: FMI, FMII, FMAST, LW, MWASt (AMAST), MWI.

## AUTOMATIC TUNING

Use this function to tune to a station automatically.

- Press button **17** to tune to a station with higher frequency or button **12** to tune to a station with lower frequency.
- To tune to another station, press the button again.

### Manual tuning

(only if you know the frequency of the station required)

Keep button **17** or **12** pressed for longer than 2 seconds, then press button **17** to tune to a station with lower frequency or button **12** to tune to a station with higher frequency.

Note Releasing the buttons will activate time-out. After 5 seconds the display shows the word "Auto" for 1 second and the button function will return to automatic tuning mode.

## PRESET STATIONS

### Manual station storage

Five stations per band can be stored and recalled using the preset buttons (numbered from **1** to **5**).

- Tune to the required station.
- Keep the required preset button (**1** to **5**) pressed for over 2 seconds to store the current station.

If a FM station is stored, also the station name and the AF mode will be stored (certain stations alternate a Program Service Name).

### Listening to stored stations

Press the required preset button (numbered from **1** to **5**).

### Automatic station storage (AUTOSTORE)

With this function the radio automatically stores the five FM stations with the strongest signal on the FMAST band and the five MW (AM) stations with the strongest signal on the MW (AMAST) band. If the AUTOSTORE function is on, new stations will replace the stations stored previously in the FMAST or MW (AMAST) bands:

- Keep button BAND/AST **11** pressed for over 2 seconds to turn on the AUTOSTORE function.
- The system will beep and then will set to mute.
- When storage is over, the system will beep and will play the station stored on channel **1**.

Note Sometimes it may not be possible to store 5 stations.

# RADIO DATA SYSTEM (RDS)

Most of the present-day radio stations broadcast RDS data to offer advantages like:

- PROGRAM SERVICE NAME (PS)
- ALTERNATIVE FREQUENCY (AF)
- ALARM MESSAGES (PTY ALARM)
- TRAFFIC ANNOUNCEMENTS (TA).

To deactivate the RDS function proceed as follows:

- Keep button SOURCE/RDS 13 pressed for over 2 seconds; all the functions connected with RDS will also be deactivated.

## PROGRAM SERVICE NAME (PS)

To display the name of the station tuned instead of its frequency.

## ALTERNATIVE FREQUENCY (AF)

The current station being tuned, the sound system will continuously search for the best alternative frequency with the strongest signal.

### AF on/off

The sound system continuously searches for the best alternative frequency for the current station and it tunes automatically to the frequency with the strongest signal. To turn the AF function on/off, keep button TA / AF 6 pressed for over 2 seconds.

## ALARM MESSAGES (PTY ALARM)

The sound system is set to receive automatically emergency announcements broadcast by radio stations. During these messages, the display will alternately show the word "ALARM" and the name of the radio station.

## TRAFFIC ANNOUNCEMENTS (TA)

The TA function enables to give priority to traffic announcements (although you are listening to a CD or the volume is muted).

### TA on/off

- Press briefly button BAND / AST 11 to select a FM band.
- Press button TA / AF 6 to turn the TA function on/off.

Note If the station being tuned does not allow to receive traffic announcements, the display will show "NO TA". The sound system will search automatically for a proper station.

### Stopping traffic announcements TA

Press briefly button TA / AF 6 to stop the traffic bulletin being broadcast without turning off the TA function. The sound system will resume the previous operating mode.

# COMPACT DISC PLAYER

## PLAYING A CD

- Load the CD with the label up; playback will start.
- If a CD is already inserted: press button SOURCE / RDS **13** to select CD as sound source; playback will start.

## PREVIOUS / NEXT TRACK

Press briefly button **17** or **12** to select the required track.

## FAST FORWARD / BACKWARD

Keep button **17** or **12** pressed for over 2 seconds to move forth / back on the CD.

## RANDOM TRACK PLAYING

Press button RND **1** to turn on/off random track playing.

## TRACK REPEAT

Press button RPT **2** to turn on/off current track repeat.

## SCAN TRACKS

With the scan function it is possible to play the first seconds of each track.

- Press button SCN **3** to turn on/off the scan function.

## EJECT CD

Press button **14** to eject the CD.

# TROUBLESHOOTING

Sometimes you may feel the sound system is not working properly. Before applying to Fiat Dealership, read carefully the instructions below: it is most likely that an apparent malfunction can be solved with ease.

## SOUND

**The sound system is not working.  
The display is not working:**

- check (sound system and car) fuse and connections;
- check voltage rating.

**The sound system works,  
nevertheless the radio is muted:**

- adjust the volume;
- check fader and balance;
- check the aerial and its connection.

## RADIO

**The required station cannot be tuned:**

- check the aerial is fully extracted and properly connected;
- check the negative terminal is grounded;
- the required station signal is too weak, try with manual tuning.

**Station frequency display  
(instead of the station name):**

- the radio is not tuned to a RDS station;
- the RDS function is off.

**The radio turns off and the display shows alternately the word “SEARCH” and the station name/frequency:**

- the radio is searching for an alternative frequency (AF) for the station tuned since the signal is weak. If no alternative frequency is found, turn the AF function off.

**The display shows the message “NO TA” and the sound system beeps intermittently:**

- the tuned station signal is too weak for receiving traffic announcements. Use the automatic tuning function to tune to another station;
- if the TA function is on, the automatic tuning will only tune to stations able to receive these messages.

**CD**

**The display shows the message “CD ERROR” and the sound system beeps:**

- check the CD is properly loaded and check it is not dirty or damaged.

**Distorted sound:**

- CD not played; loaded CD is dirty or damaged.

**The CD player is not working:**

- if it is very cold, condensate could be present on laser; use the sound system in radio mode for about 5 minutes to let condensate evaporate.

**The display shows the message “NO CD” or “NO DISC”:**

- no CD is loaded.

Fiat Group Automobili S.p.A.

Servizi al Cliente - Assistenza Tecnica - Ingegneria Assistenziale - Largo Senatore G. Agnelli, 5 - 10040 Volvera - Torino (Italia)

Print no. 603.83.436 - 11/2007 - 1<sup>st</sup> edition



The data contained in this publication is intended merely as a guide. FIAT reserves the right to modify the models and versions described in this booklet at any time for technical and commercial reasons. If you have any further questions please consult your FIAT dealer. Printed in recycled paper without chlorine.